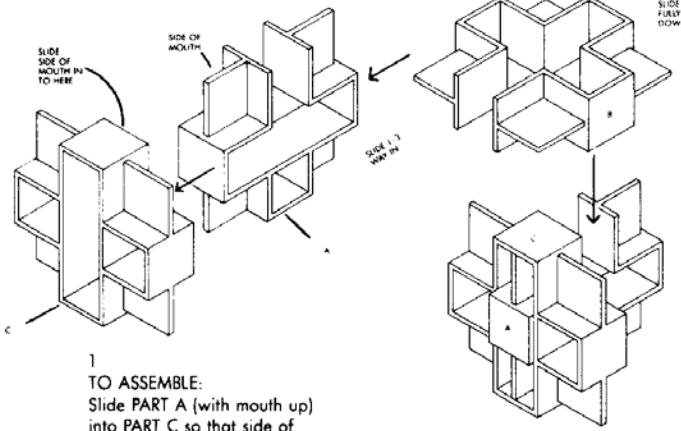


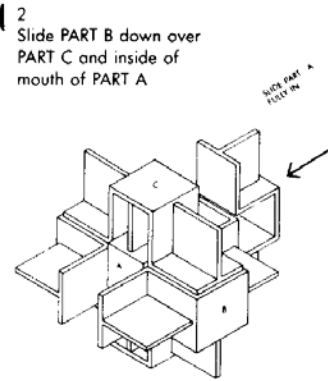
Curious Cross

The Curious Cross consists of three parts: Two identical open parts (A & B) and one closed part (C).

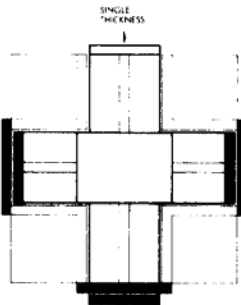
Can you take it apart?



1
TO ASSEMBLE:
Slide PART A (with mouth up)
into PART C so that side of
mouth is flush with edge of
PART C.

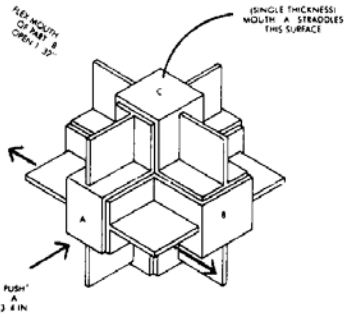


2
Slide PART B down over
PART C and inside of
mouth of PART A

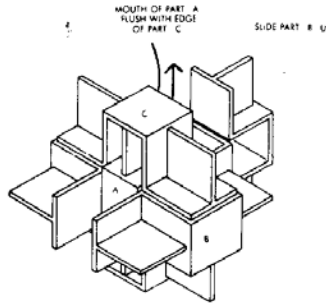


3
Slide PART A all the way in.
Assembly locks into place.

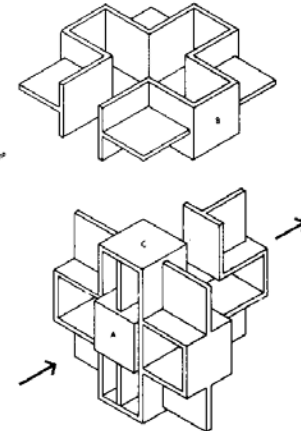
4
TO DISASSEMBLE:
Note, this three dimensional cross
has 6 ends. Two ends have a single
thickness of plastic. Four ends have
a double thickness.



5
Place CURIOUS CROSS in position shown.
Flex mouth of PART B $1/32''$ to unlock,
simultaneously push on solid end of PART
A until inner surface of mouth of PART A
is flush with edge of PART C. See Fig. 6.



6
Remove PART B by
sliding up through
mouth of PART A.



7
Slide PART A
Out of PART C.

Mag-Nif makes it!